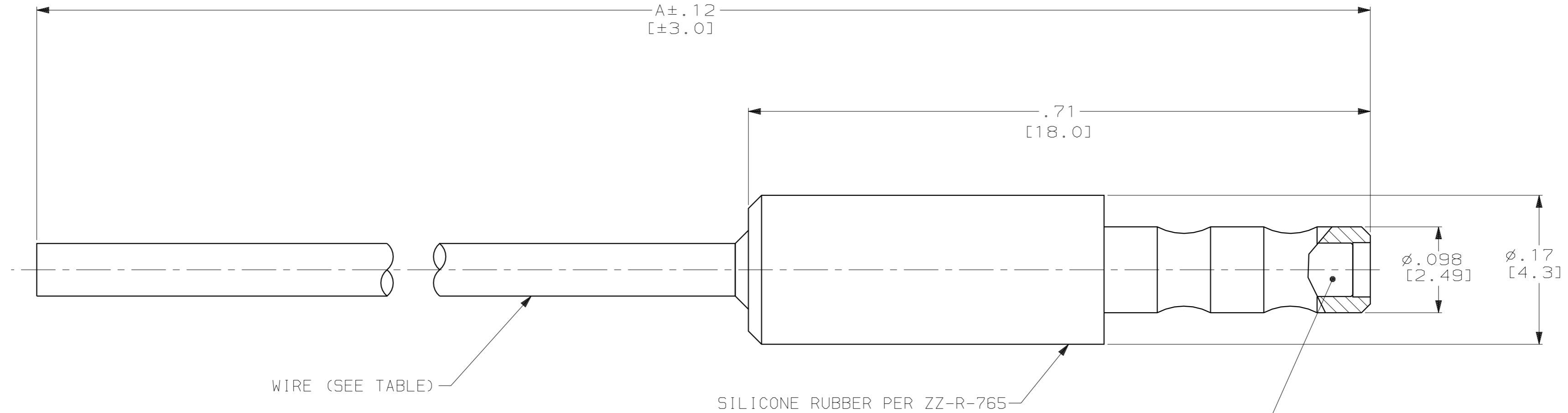


THIS DRAWING IS UNPUBLISHED. RELEASED FOR PUBLICATION, 19
 BY AMP INCORPORATED. ALL RIGHTS RESERVED.

LOC		DIST		REVISIONS			
P	LTR	DESCRIPTION	DATE	DWN	APVD		
DF	SO	B	REV PER 0H14-0493-04	8-6-04	CT	DE	



- OPERATING VOLTAGE: 6 KVDC
TEMPERATURE RANGE: -55°C TO +125°C
ALTITUDE: SEA LEVEL TO 70,000 FEET
- THIS PLUG WILL MATE WITH AMP PART NO. 1218148.
- 100% TESTING FOR DWV AND PARTIAL DISCHARGE PER RAYTHEON SPEC. G718649, GROUP A.
- 100% TESTING FOR DWV AND PARTIAL DISCHARGE PER RAYTHEON SPEC. G719581, GROUP A.

REMARKS	DIM A	WIRE DESCRIPTION	PART NUMBER
4	15.00 [381.0]	#24 GA SILICONE COATED FEP .060 O.D. COLOR: RED	1218147-3
3	12.50 [317.5]	#24 GA SILICONE COATED FEP .060 O.D. COLOR: RED	1218147-2
-	12.50 [317.5]	#24 GA SILICONE COATED FEP .060 O.D. COLOR: RED	1218147-1

THIS DRAWING IS A CONTROLLED DOCUMENT.

DWN	C.C. THOMAS	2-9-98	AMP Incorporated Harrisburg, PA 17105-3608
CHK	D.EABY	2-11-98	
APVD	D.EABY	2-11-98	
NAME	D.EABY		
DIMENSIONS: INCHES [mm]			PRODUCT SPEC
TOLERANCES UNLESS OTHERWISE SPECIFIED:			APPLICATION SPEC
0 PLC ±- 1 PLC ±- 2 PLC ±.01 [0.3] 3 PLC ±.005 [0.13] 4 PLC ±- ANGLES ±-			SIZE
MATERIAL			WEIGHT
FINISH			SCALE
CUSTOMER DRAWING			SHEET

PLUG, MICRO-MIN, LGH

SIZE: A2 CAGE CODE: 00779 DRAWING NO: C-1218147

SCALE: 10:1 SHEET: 1 OF 1 REV: B

1218147